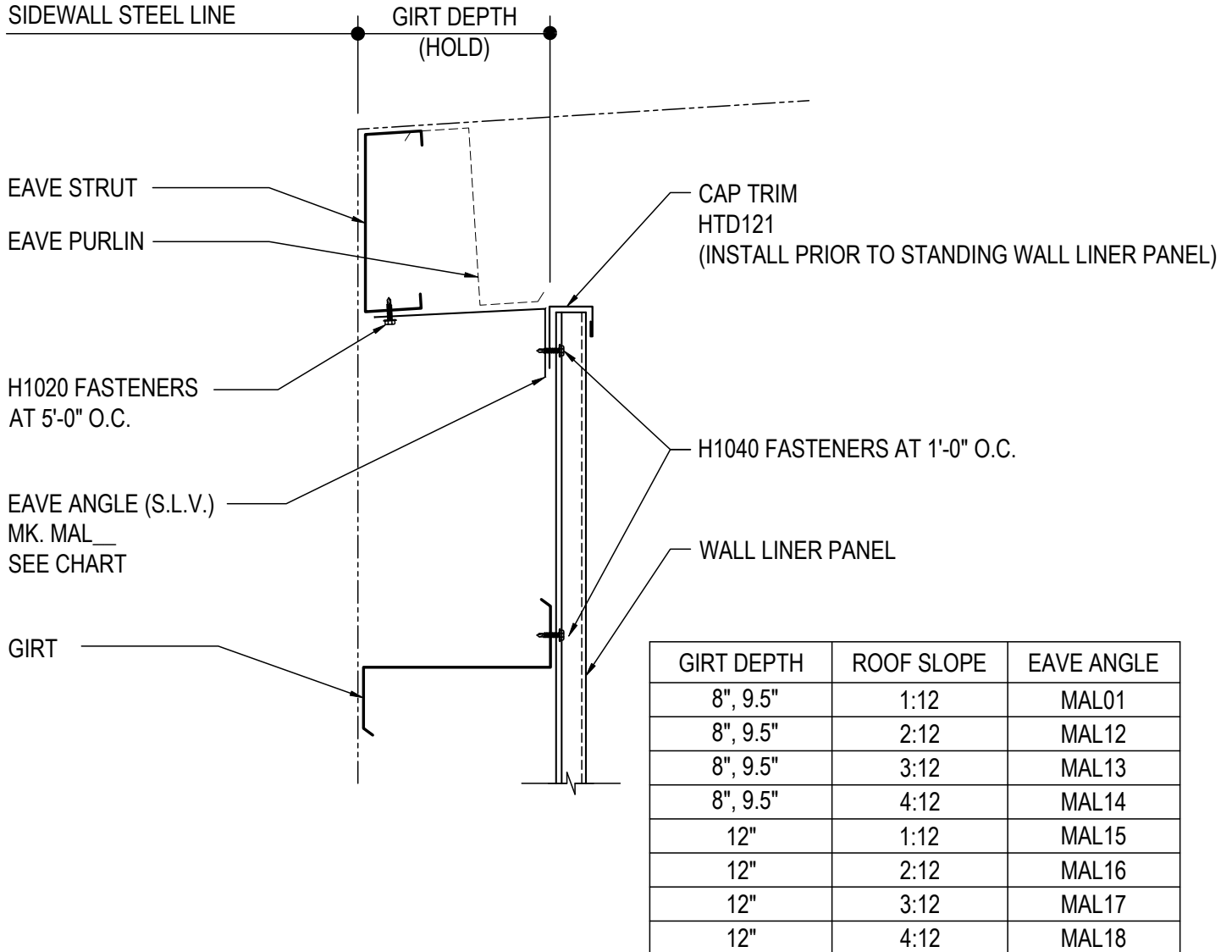


## EAVE DETAILS

- ID0010 - LOW EAVE - LESS THAN OR EQUAL TO 4-12
  - ID0020 - LOW EAVE - EAVE PURLIN 5-12 ONLY
  - ID0030 - LOW EAVE - EAVE PURLIN 6-12 ONLY
  - ID0050 - LOW EAVE WITH WALL AND CEILING
  - ID0051 - LOW EAVE CEILING
  - ID0060 - HIGH EAVE EAVE GIRT UP TO 6-12
  - ID0061 - HIGH EAVE EAVE STRUT UP TO 4-12
  - ID0075 - HIGH EAVE EAVE GIRT UP TO 4-12
  - ID0081 - HIGH EAVE CEILING
  - ID0100 - PARTIAL HEIGHT LINER
-

ID0010 - LOW EAVE LINER PANEL DETAIL -  $\leq 4:12$

[Download the DWG file by clicking here.](#)



## LOW EAVE LINER PANEL DETAIL

FULL HEIGHT LINER - SLOPES  $\leq 4:12$   
ALL STANDARD LINER PANEL TYPES

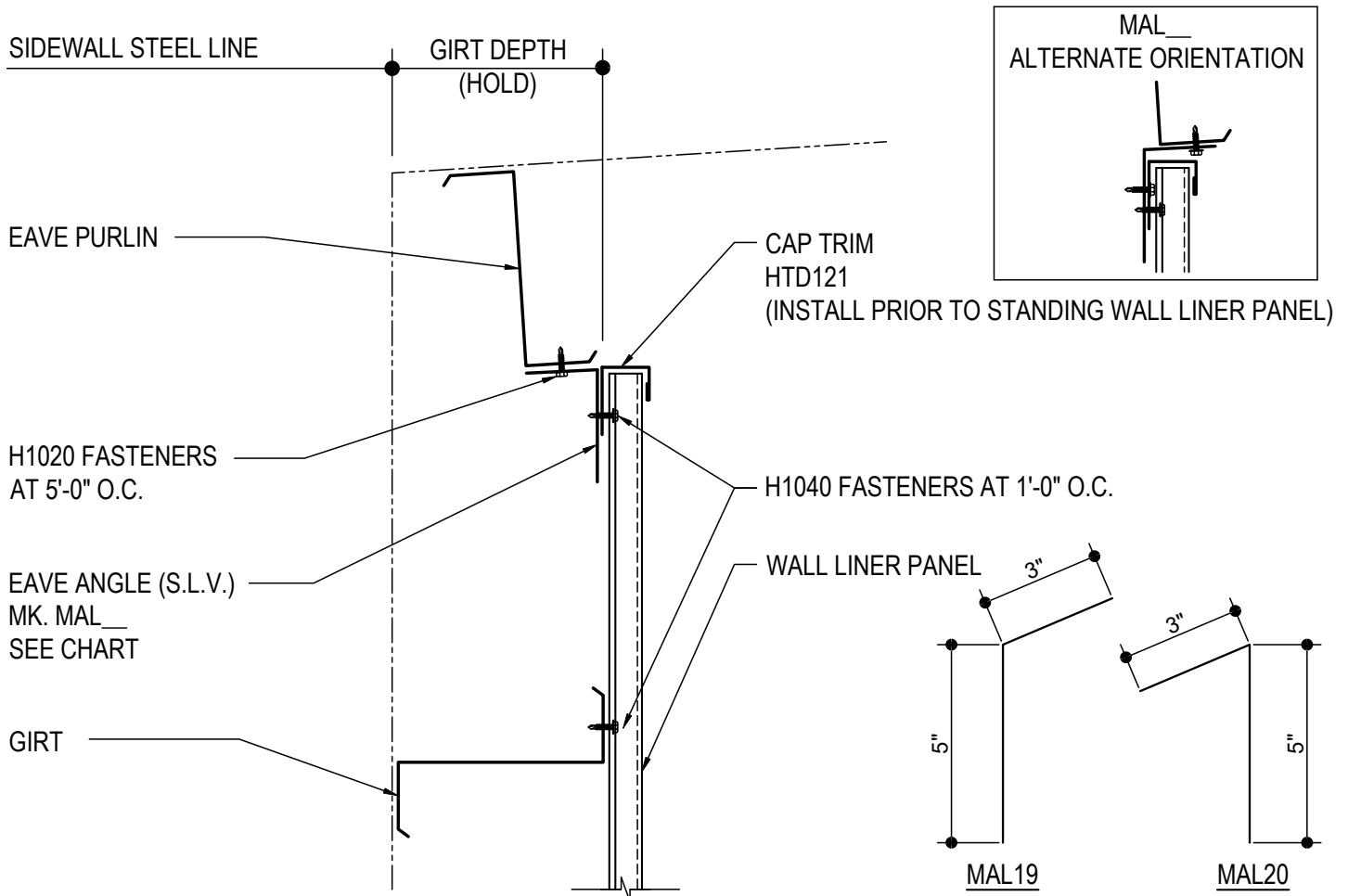
**ID0010**

Detailer Notes:

1) N/A

ID0020 - LOW EAVE LINER PANEL DETAIL - AT EAVE PURLIN 5:12 ONLY

[Download the DWG file by clicking here.](#)



PURLIN DEPTH	GIRT DEPTH			NOTE: ORIENTATION OF LONG LEG CAN BE ROTATED TO PROVIDE A BETTER FIT TO BOTTOM LEG OF PURLIN.
	8"	9.5"	12"	
8"	MAL19	MAL20	MAL20	
9.5"	MAL19	MAL19	MAL20	
12"	MAL19	MAL19	MAL20	

## LOW EAVE LINER PANEL DETAIL

FULL HEIGHT LINER - SLOPES 5:12 ONLY  
ALL STANDARD LINER PANEL TYPES

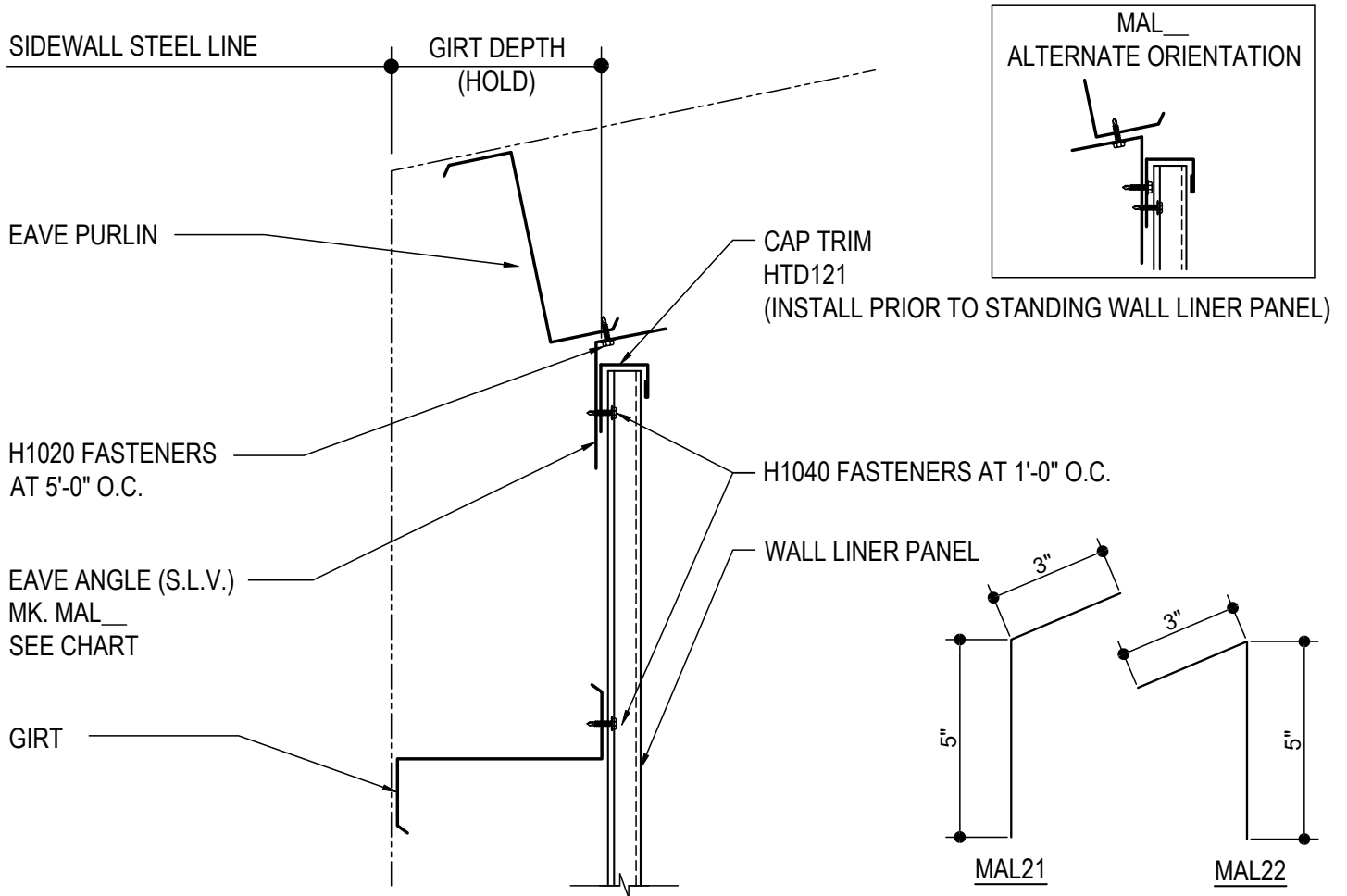
**ID0020**

Detailer Notes:

- 1) N/A

ID0030 - LOW EAVE LINER PANEL DETAIL - AT EAVE PURLIN 6:12 ONLY

[Download the DWG file by clicking here.](#)



PURLIN DEPTH	GIRT DEPTH			NOTE: ORIENTATION OF LONG LEG CAN BE ROTATED TO PROVIDE A BETTER FIT TO BOTTOM LEG OF PURLIN.
	8"	9.5"	12"	
8"	MAL21	MAL22	MAL22	
9.5"	MAL21	MAL21	MAL22	
12"	MAL21	MAL21	MAL22	

## LOW EAVE LINER PANEL DETAIL

FULL HEIGHT LINER - SLOPES 6:12 ONLY  
ALL STANDARD LINER PANEL TYPES

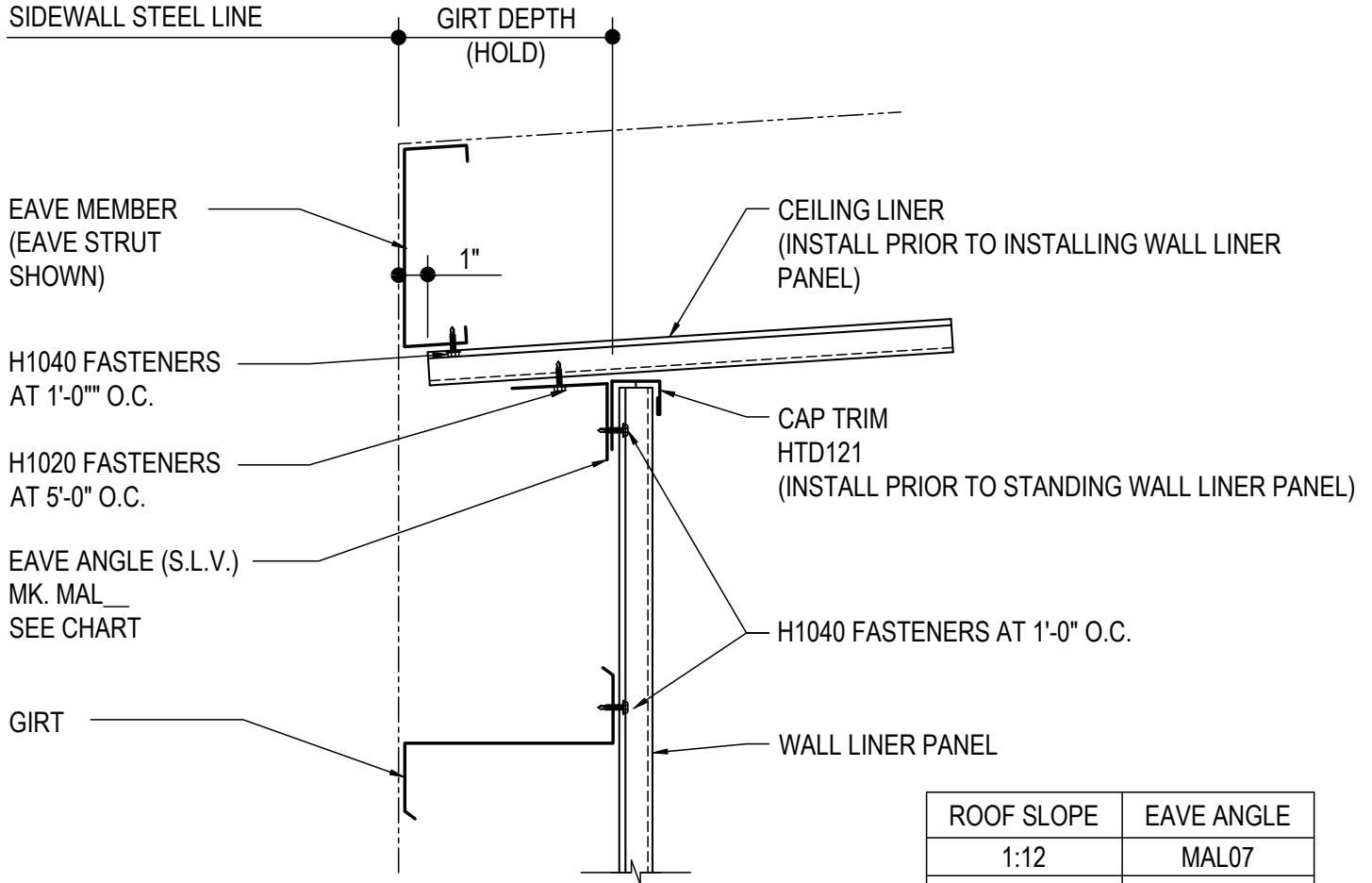
**ID0030**

Detailer Notes:

- 1) N/A

ID0050 - LOW EAVE WITH WALL AND CEILING

[Download the DWG file by clicking here.](#)



ROOF SLOPE	EAVE ANGLE
1:12	MAL07
2:12	MAL02
3:12	MAL04
4:12	MAL06

## LOW EAVE LINER PANEL DETAIL

FULL HEIGHT LINER WITH CEILING LINER - SLOPES  $\leq 4:12$   
ALL STANDARD LINER PANEL TYPES

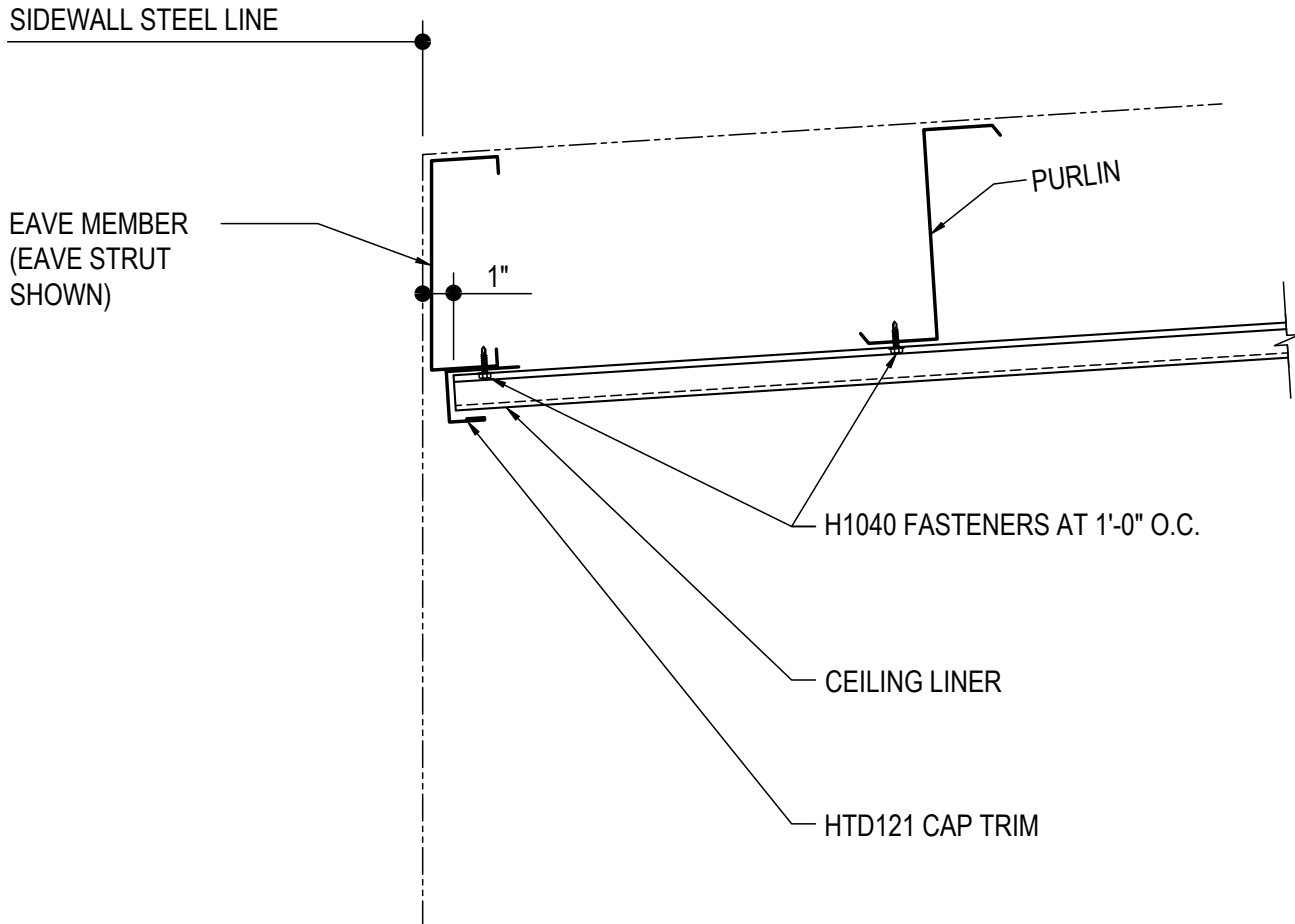
**ID0050**

Detailer Notes:

- 1) N/A

ID0051 - LOW EAVE CEILING

[Download the DWG file by clicking here.](#)



## LOW EAVE LINER PANEL DETAIL

CEILING LINER WITHOUT WALL LINER  
ALL STANDARD LINER PANEL TYPES

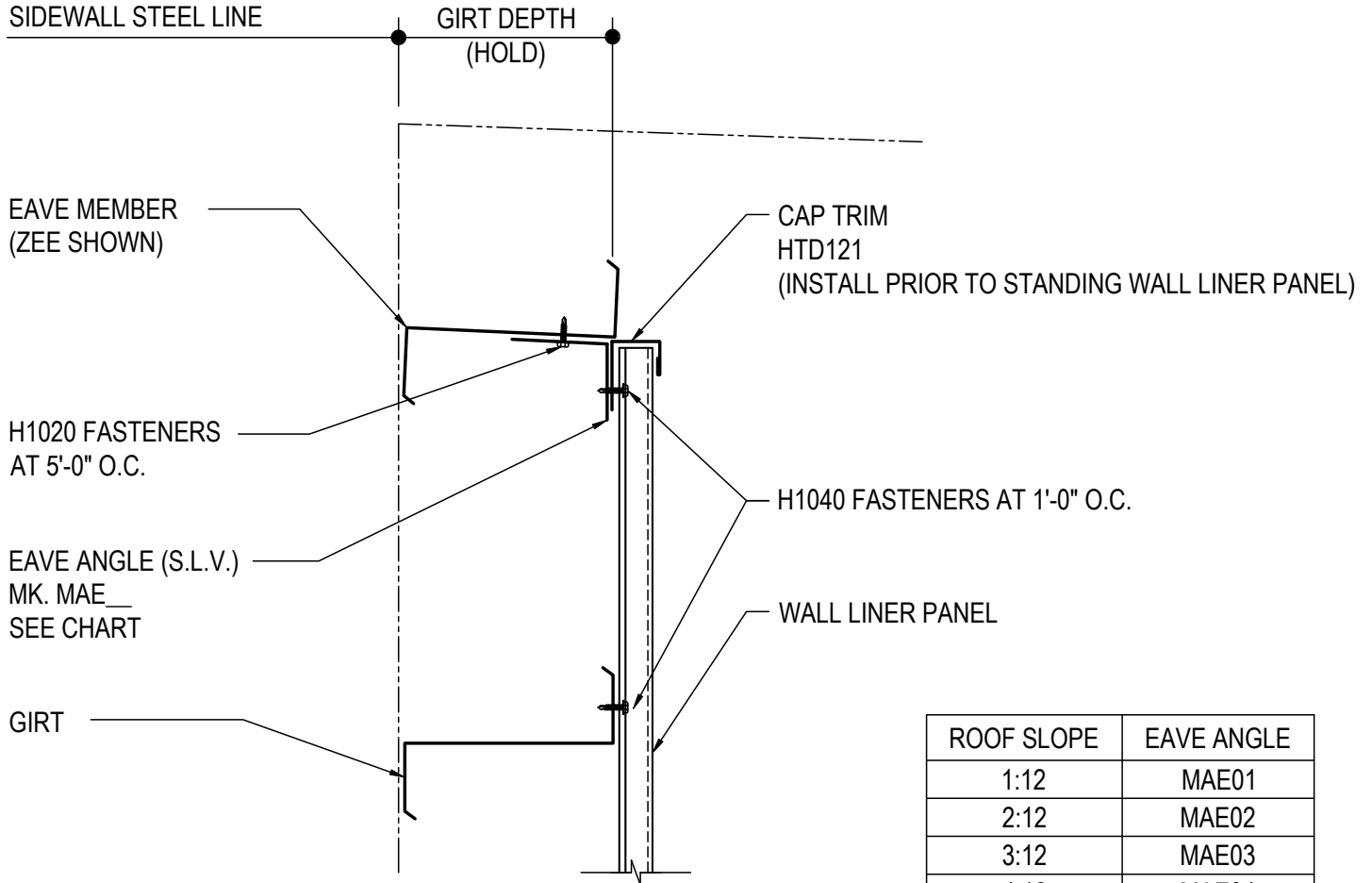
**ID0051**

Detailer Notes:

1) N/A

ID0060 - HIGH EAVE - EAVE GIRT ≤6:12

[Download the DWG file by clicking here.](#)



ROOF SLOPE	EAVE ANGLE
1:12	MAE01
2:12	MAE02
3:12	MAE03
4:12	MAE04
5:12	MAE05
6:12	MAE06

## HIGH EAVE LINER PANEL DETAIL

FULL HEIGHT LINER - SLOPES ≤6:12  
ALL STANDARD LINER PANEL TYPES

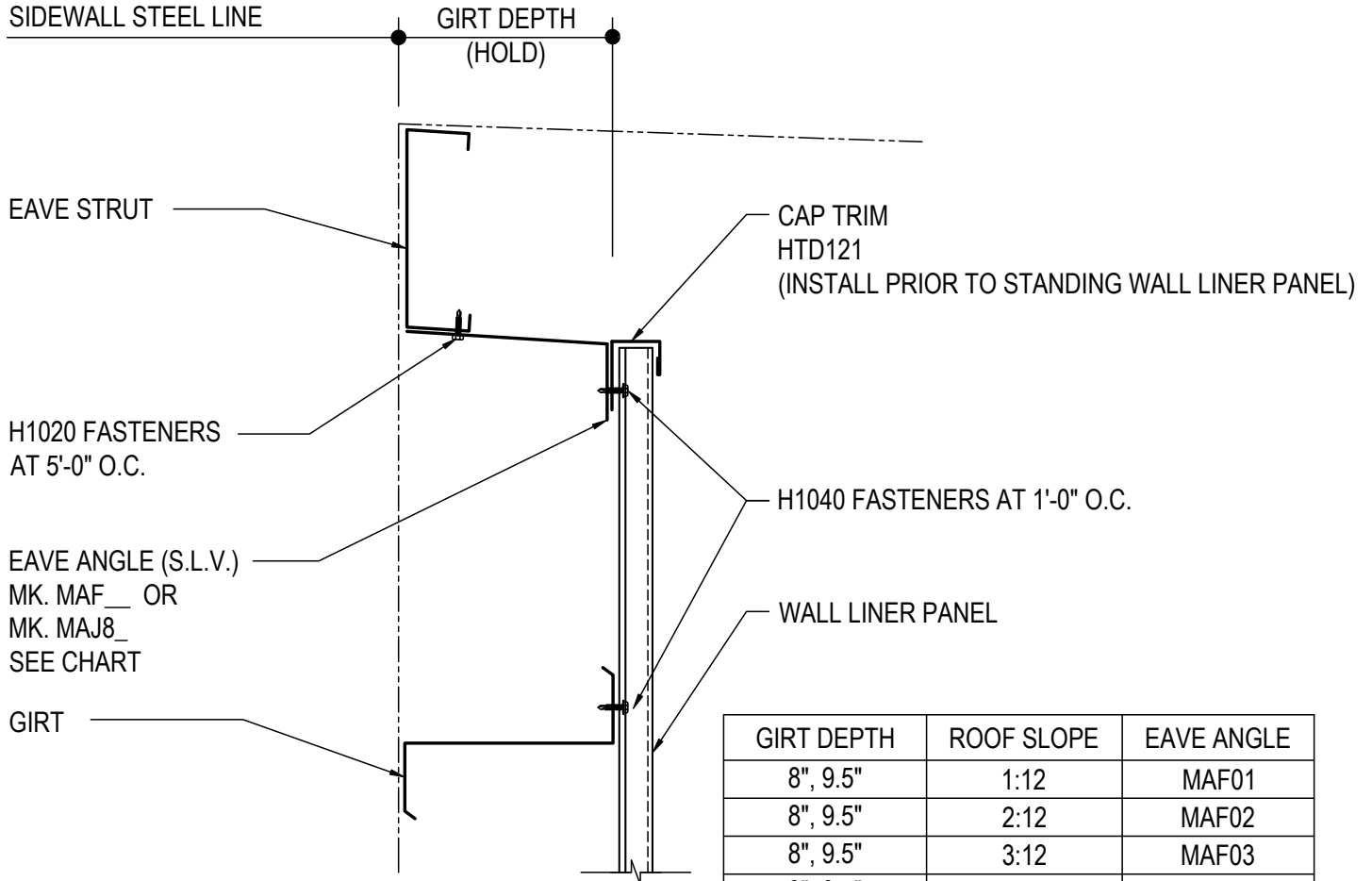
**ID0060**

Detailer Notes:

1) N/A

ID0061 - HIGH EAVE - EAVE STRUT  $\leq 4:12$

[Download the DWG file by clicking here.](#)



GIRT DEPTH	ROOF SLOPE	EAVE ANGLE
8", 9.5"	1:12	MAF01
8", 9.5"	2:12	MAF02
8", 9.5"	3:12	MAF03
8", 9.5"	4:12	MAF04
12"	1:12	MAJ81
12"	2:12	MAJ82
12"	3:12	MAJ83
12"	4:12	MAJ84

## HIGH EAVE LINER PANEL DETAIL

FULL HEIGHT LINER - SLOPES  $\leq 4:12$   
ALL STANDARD LINER PANEL TYPES

**ID0061**

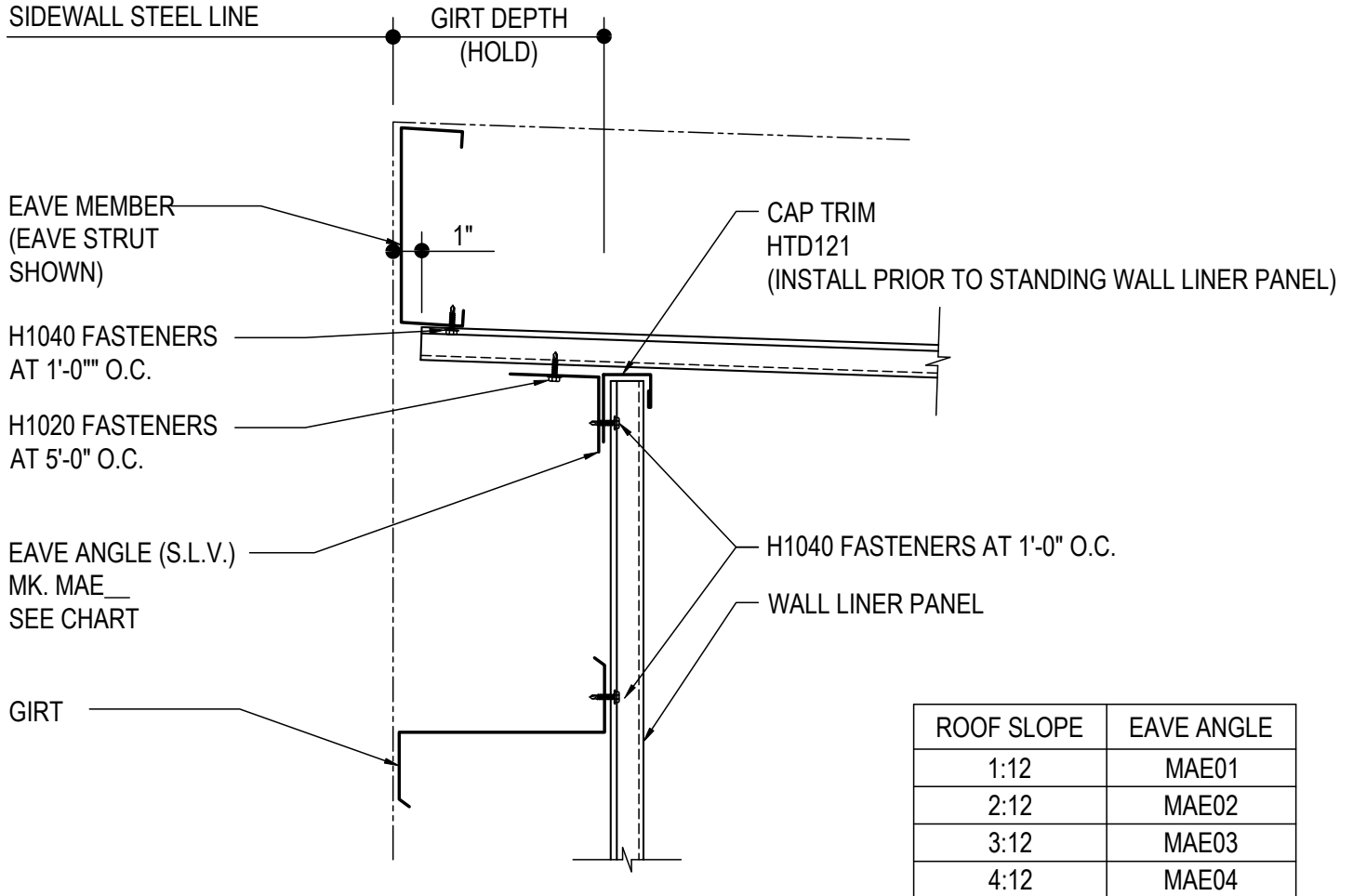
Detailer Notes:

- 1) N/A



ID0075 - HIGH EAVE WITH WALL AND CEILING

[Download the DWG file by clicking here.](#)



## HIGH EAVE LINER PANEL DETAIL

FULL HEIGHT LINER WITH CEILING LINER - SLOPES  $\leq 4:12$   
ALL STANDARD LINER PANEL TYPES

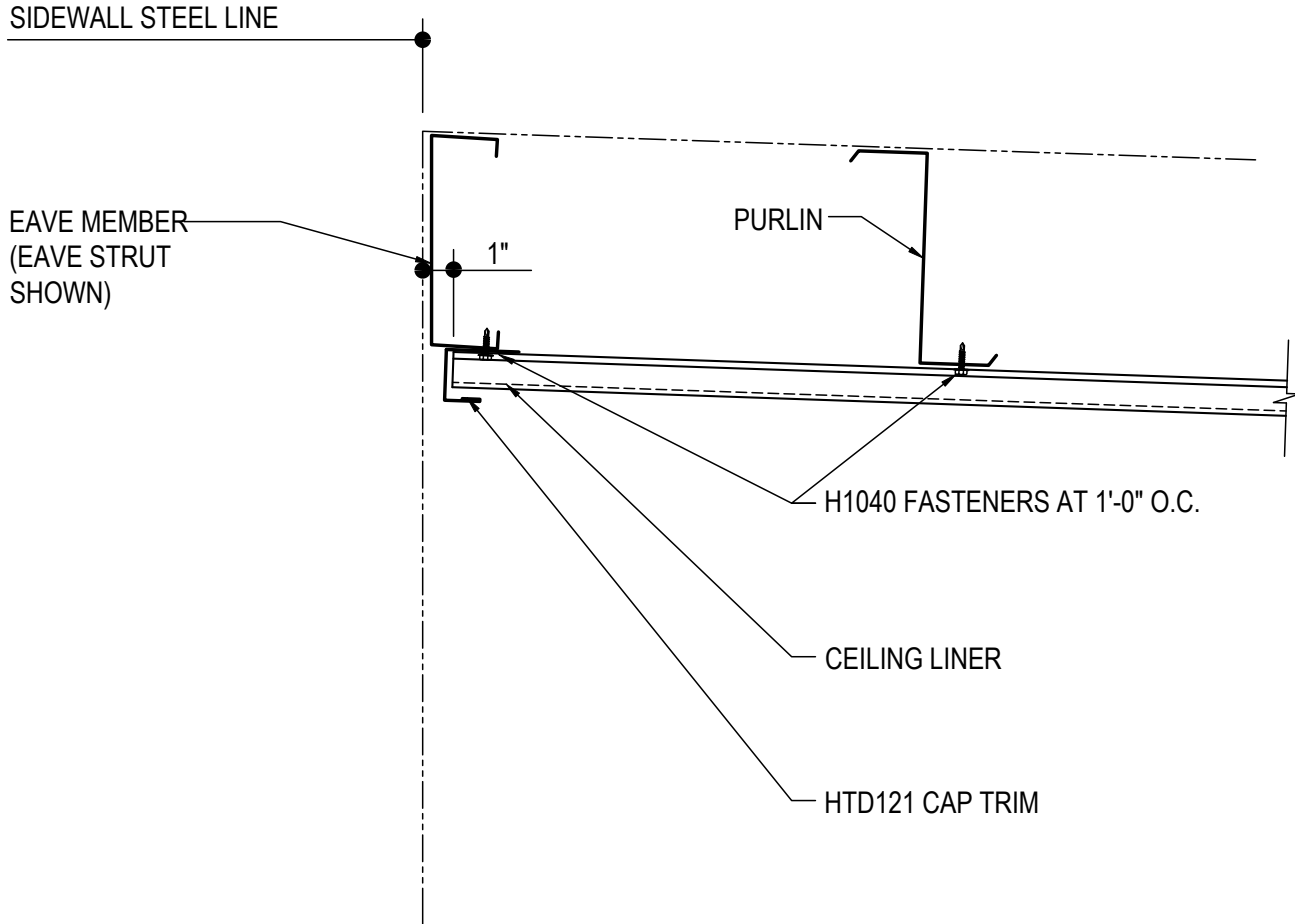
**ID0075**

Detailer Notes:

1) N/A

ID0081 - HIGH EAVE CEILING

[Download the DWG file by clicking here.](#)



## HIGH EAVE LINER PANEL DETAIL

CEILING LINER WITHOUT WALL LINER  
ALL STANDARD LINER PANEL TYPES

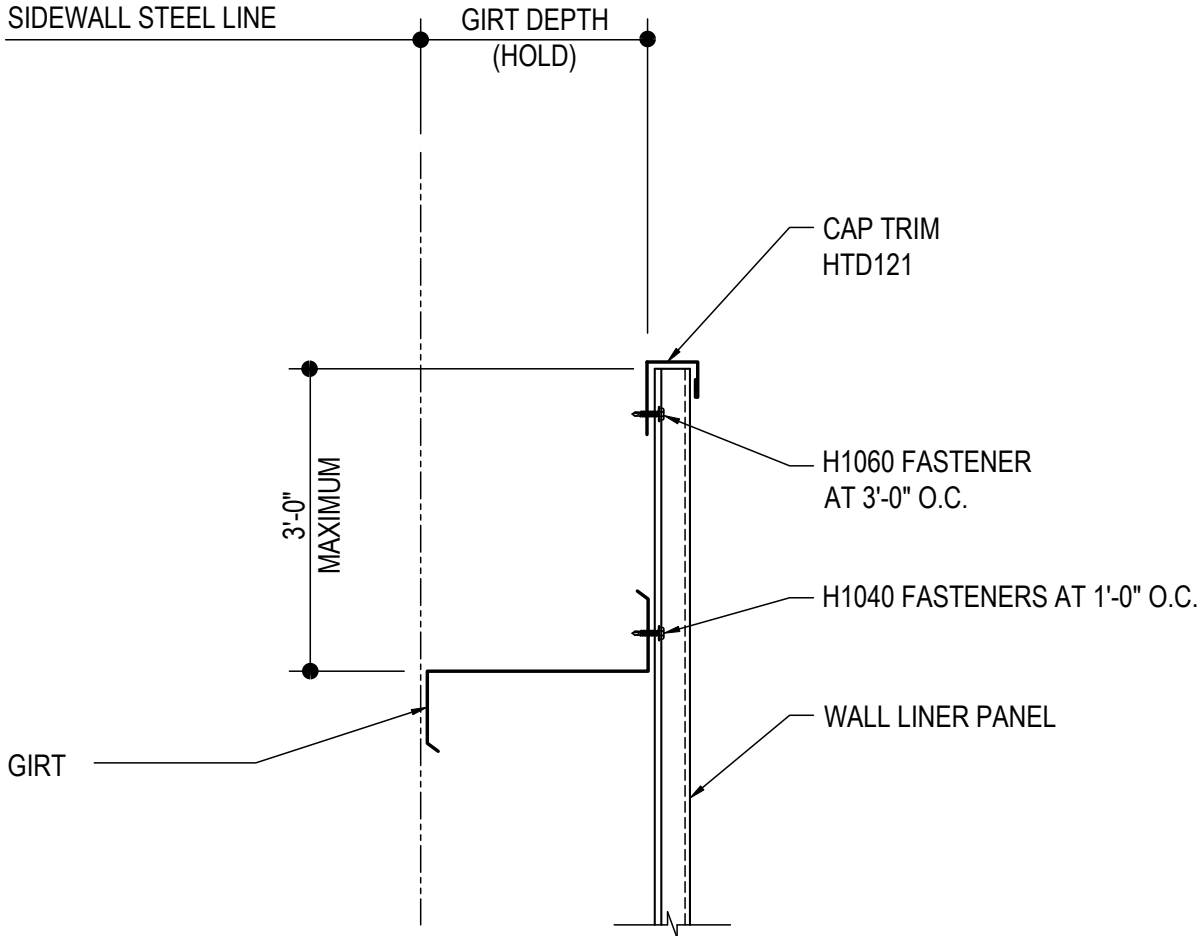
**ID0081**

Detailer Notes:

1) N/A

ID0100 - PARTIAL HEIGHT LINER

[Download the DWG file by clicking here.](#)



## PARTIAL HEIGHT LINER PANEL DETAIL

PARTIAL HEIGHT WALL  
ALL STANDARD LINER PANEL TYPES

**ID0100**

Detailer Notes:

1) N/A